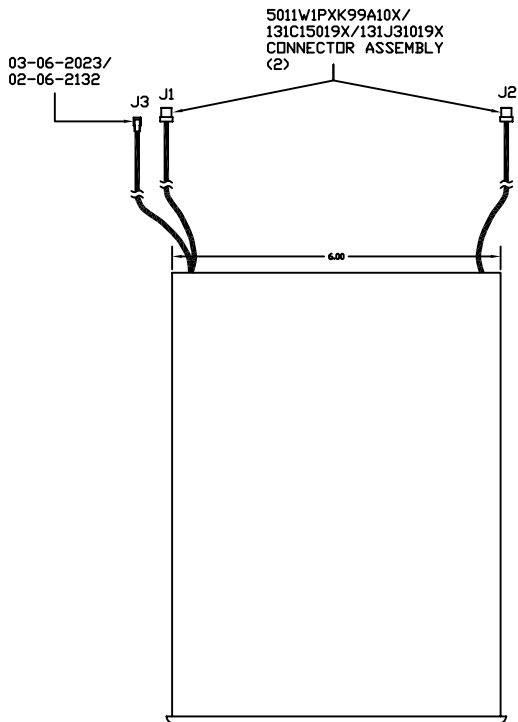


NOTES:
SEE SHEET 1 FOR NOTES.

REVISIONS				
ZONE	REV	DESCRIPTION	DATE	DRAWN

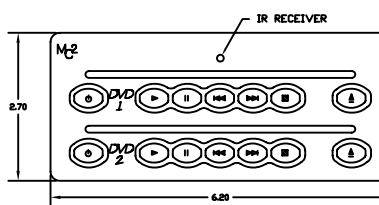


CONNECTOR J3	
5	03-06-2023 CONNECTOR
	02-06-2103 PIN
5	03-06-1023 MATING CONNECTOR
	02-06-1103 SOCKET
DESCRIPTION	
1	+28VDC POWER
2	GND

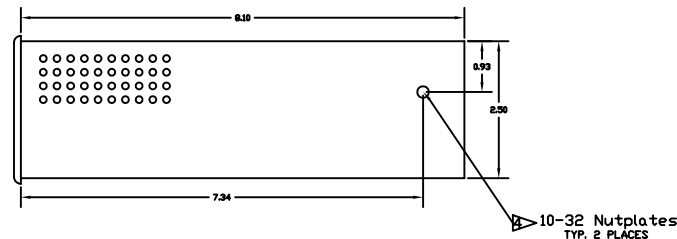
CONNECTOR J1 & J2	
P/N	DESCRIPTION
9	5011WIPXK99A10X CONNECTOR
	131C15019X PIN
	131J31019X CONNECTOR
	DA20961 BACKSHELL
	D20418-2 SCREW JACKS

WIRING DESCRIPTION CHART

J1 (DVD #1)		J2 (DVD #2)	
PIN	DESCRIPTION	PIN	DESCRIPTION
1	L+ AUDIO OUTPUT (DVD #1)	1	L+ AUDIO OUTPUT (DVD #2)
2	R+ AUDIO OUTPUT (DVD #1)	2	R+ AUDIO OUTPUT (DVD #2)
3	INFRARED DATA OUTPUT	3	INFRARED DATA OUTPUT
4	INFRARED DATA RETURN	4	INFRARED DATA RETURN
5	DATABUS (B)	5	DATABUS (B)
6	DATABUS (D)	6	DATABUS (D)
7	L- AUDIO OUTPUT (DVD #1)	7	L- AUDIO OUTPUT (DVD #2)
8	R- AUDIO OUTPUT (DVD #1)	8	R- AUDIO OUTPUT (DVD #2)
9	DATABUS (A)	9	DATABUS (A)
10	DATABUS (C)	10	DATABUS (C)
A1	VIDEO SOURCE1 (SIGNAL)	A1	VIDEO SOURCE2 (SIGNAL)



© DUAL DVD
(AUTO CONFIG COMPATIBLE)



THIS DRAWING CONTAINS PROPRIETARY INFORMATION AND TECHNICAL MATERIAL THAT ARE THE SOLE PROPERTY OF MID CONTINENT CONTROLS, INC. THIS INFORMATION SHOULD BE TREATED AS CONFIDENTIAL, BY ITS RECEIPT AND SHOULD NOT BE SHOWN OR DISCLOSED TO ANY ORGANIZATION OR PERSON WITHOUT FIRST OBTAINING WRITTEN PERMISSION FROM MID CONTINENT CONTROLS, INC.		Mid Continent Controls, Inc. (316)789-0088 901 N. River, Derby, KS 67037	
DUAL DVD ASSEMBLY (Region Free - Auto Config)			
FINISH: ANODIZE TYPE 2 CLASS II BLACK/ML-A-8825	SIZE: D	DRAWN: DAS	REV: 105046
MATERIAL: N/A	SCALE: 1:1	DATE: 09/06/2005	SHEET 2 OF 2
TOLERANCE: ±0.010" UNLESS NOTED			