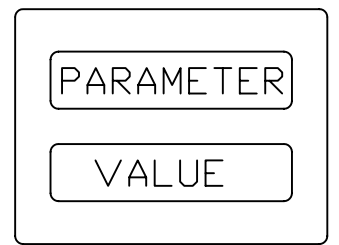
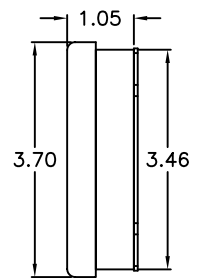
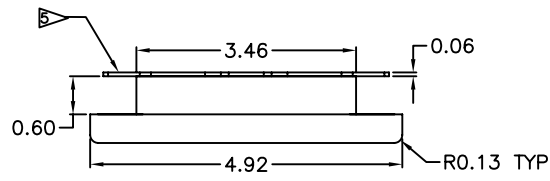


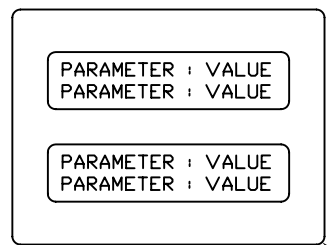
NOTES:

- 1) P/N OF ITT CANNON
- 2) WIRE BUNDLE LENGTH TO BE 12" MINIMUM FROM EDGE OF PANEL
- 3) ASSEMBLY SCREWS PROVIDED (FOUR #2-56 FLAT HEAD)
- 4) FOR INSTALLATION AND OPERATION REF. MCCI DOCUMENT MCC-19-083
- 5) PLATE IS INCLUDED. FOR REORDER REQUEST P/N 401667-1
- 6) WEIGHT: 0.65 LBS
- 7) CURRENT CONSUMPTION IS 125mA TYPICAL AND 200mA PEAK.
- 8) ORDER NUMBER IS 101018-1 (1 PARAMETER) 101018-4 (4 PARAMETER)
- 9) MATING CONNECTOR KIT AVAILABLE AS MCCI P/N: 856003-1

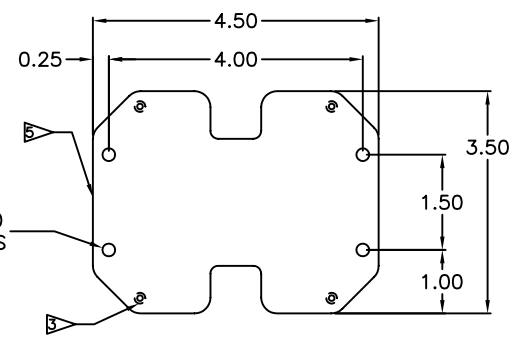
ZONE	REV	DESCRIPTION	DATE	DRWN
AS	A	1) NOTE 1 THE "CALL OUT" FROM "4.50" TO "4.00" FOR "R" IS NOT SHOWN	8/10/2004	ONE
		2) NOTE 1 THE "CALL OUT" FROM "4.50" TO "4.00" FOR "R" IS NOT SHOWN		
		3) ADD 101018-4 AND NOTE 8 RESPECTIVELY.		
		4) RECOMMENDED TO CLAMP MOUNTING PATTERNS		
		5) ADD MOUNTING CONNECTOR CALLOUT AND NOTE 9 RESPECTIVELY		
AS	B	ADDED DETAIL 9 WITHOUT MOUNTING PLATE	12/01/2005	JSL



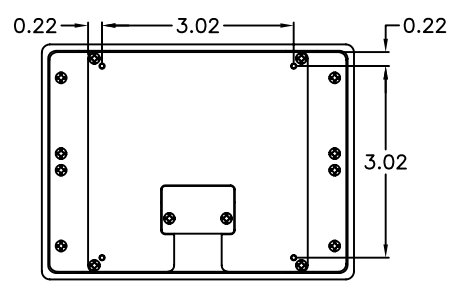
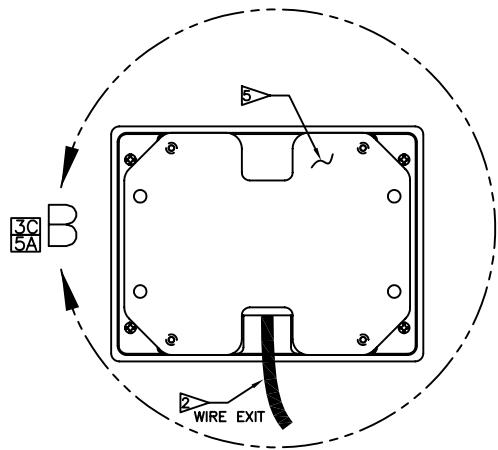
1) DISPLAY - 1 PARAMETER



4) DISPLAY - 4 PARAMETER R0.13 TYP



DETAIL B : MOUNTING PLATE ONLY  
[ZA] DISPLAY NOT SHOWN



DETAIL B : MOUNTING PLATE NOT SHOWN  
[ZA] B

CONNECTOR DESCRIPTION		MATING CONNECTOR	
PART NUMBER	CONNECTOR	PART NUMBER	CONNECTOR
DEMA-9P	CONNECTOR	DEMA-9S	CONNECTOR
DE44994	BACKSHELL	DE44994	BACKSHELL
D20419-21	MALE SCREWLOCK	D20418-2	FEMALE JACKPOST
PIN	CIRCUIT DESCRIPTION	CIRCUIT TYPE	
1	28VDC	DC SUPPLY VOLTAGE	
2	GND	DC RETURN	
3	DATA BUS "A"	EIA-485 BUS	
4	DATA BUS "B"	EIA-485 BUS	
5	BUS TERMINATION "A"	EIA-485 TERMINATION	
6	BUS TERMINATION "B"	EIA-485 TERMINATION	
7	NC	NA	
8	NC	NA	
9	NC	NA	

THIS DRAWING CONTAINS PROPRIETARY INFORMATION AND TECHNICAL MATERIAL THAT IS THE SOLE PROPERTY OF MID CONTINENT CONTROLS, INC. THIS MATERIAL SHOULD BE TREATED AS CONFIDENTIAL BY ITS RECIPIENT AND SHOULD NOT BE SHOWN OR DISCLOSED TO ANY ORGANIZATION OR PERSON WITHOUT FIRST OBTAINING WRITTEN PERMISSION FROM MID CONTINENT CONTROLS, INC.

Mid Continent Controls, Inc. (316)789-0088  
901 N. River, Derby, KS 67037

FLIGHT INFO DISPLAY

FINISH: PER CUSTOMER P.O.

MATERIAL: N/A

TOLERANCE: ±0.010" UNLESS NOTED

REV	DRWN	CHK	QTY	REV
D	EAH			B

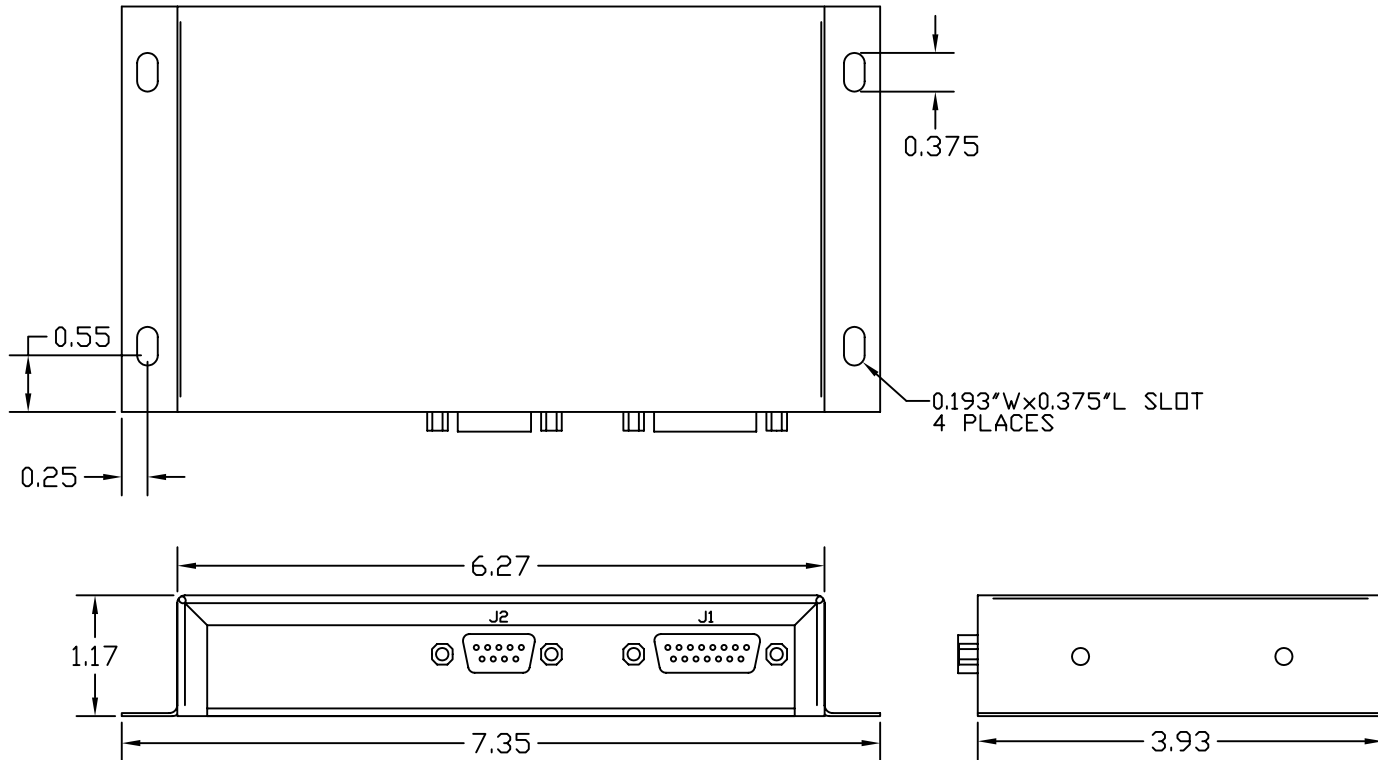
101018

SCALE: N/A DATE: 7/2/2003 SHEET: 1 OF 1

**NOTES:**

1. REFER TO MCC1 DOCUMENT # MCC-19-085 FOR DETAILED FUNCTIONAL DESCRIPTION.
2. NON-ISOLATED STANDARD RS-232 PORT. UTILIZED FOR CONFIGURATION.
3. WEIGHT: 0.45 lbs.
4. POWER CONSUMPTION: 0.03 Amps
5. STANDARD RS-485 DATA BUS (HALF DUPLEX). USED TO DISTRIBUTE FLIGHT DATA.
6. (REFER TO MCC-19-036) RS-485 DATA BUS SHOULD BE TWISTED PAIR. MAKE STUBS OFF OF THE DATA BUS AS SHORT AS POSSIBLE. IF THIS PART IS AT THE END OF THE MAIN TWISTED PAIR, SHORT PINS 9 & 10 TOGETHER, OTHERWISE LEAVE THEM FLOATING. THERE SHOULD ONLY BE TWO PARTS WITH THE TERMINATION PINS SHORTED. ONE ON EACH END OF THE MAIN DATA BUS TWISTED PAIR.

(A)



REVISIONS			
REV	DESCRIPTION	DATE	DRAWN
A	NOTE 6 WAS: ".....SHORT PINS 5 & 6 TOGETHER....."	3/14/05	DLS

J1 CONNECTOR DESCRIPTION		
PART NUMBER	DESCRIPTION	
MD15MSR5NTD	CONNECTOR	
DAMA15S	MATING CONNECTOR	
WIRE DESCRIPTION		
PIN	DESCRIPTION	CIRCUIT TYPE
1	+28V	+ DC POWER INPUT
2	GND	DC POWER RETURN
3	DATA BUS A	RS-485 BUS LINE
4	DATA BUS B	RS-485 BUS LINE
5	NC	N/A
6	RESERVED	N/A
7	429-RX2-A	ARINC 429 RECEIVE CHANNEL #2 (A)
8	429-RX1-A	ARINC 429 RECEIVE CHANNEL #1 (A)
9	BUS TERMINATION A	485 BUS TERMINATION (IF NECESSARY)
10	BUS TERMINATION B	485 BUS TERMINATION (IF NECESSARY)
11	NC	N/A
12	NC	N/A
13	RESERVED	N/A
14	429-RX2-B	ARINC 429 RECEIVE CHANNEL #2 (B)
15	429-RX1-B	ARINC 429 RECEIVE CHANNEL #1 (B)

J2 CONNECTOR DESCRIPTION		
PART NUMBER	DESCRIPTION	
MD9MSR5NTD	CONNECTOR	
DEMA9S	MATING CONNECTOR	
WIRE DESCRIPTION		
PIN	DESCRIPTION	CIRCUIT TYPE
1	NC	N/A
2	RS-232 TX	(NON-ISOLATED) MODULE TX
3	RS-232 RX	(NON-ISOLATE) MODULE RX
4	NC	N/A
5	GND	GROUND REFERENCE
6	NC	N/A
7	NC	N/A
8	NC	N/A
9	NC	N/A

(1)

THIS DRAWING CONTAINS PROPRIETARY INFORMATION AND TECHNICAL MATERIAL THAT ARE THE SOLE PROPERTY OF MID CONTINENT CONTROLS, INC. THIS MATERIAL SHOULD BE TREATED AS CONFIDENTIAL BY ITS RECIPIENT AND SHOULD NOT BE SHOWN OR DISCLOSED TO ANY ORGANIZATION OR PERSON WITHOUT FIRST OBTAINING WRITTEN PERMISSION FROM MID CONTINENT CONTROLS, INC.

Mid Continent Controls, Inc. (316)789-0088  
901 N. River Derby, KS 67037

FINISH: ANODIZE TYPE II, CLASS 2, BLACK/MIL-A-8625

FLIGHT DATA MODULE

MATERIAL: N/A

SIZE A	DRAWN DLS	DWG NO. 106107	REV A
--------	-----------	----------------	-------

TOLERANCE: ±0.010" UNLESS NOTED

SCALE N/A	DATE 2/17/2004	SHEET 1 OF 1
-----------	----------------	--------------