

NOTES:

1) THE HIGH LEVEL INPUTS ARE INTENDED FOR SIGNALS WHICH HAVE BEEN 'PRE-AMPED' TO 8.5Vpp(MAX). THESE INPUTS ARE DESIGNED FOR 8.0Vpp SIGNALS FROM A MCC1 AUDIO DISTRIBUTION MODULE.

--- DO NOT USE SPEAKER LEVEL SIGNALS WITH THIS AMP. ---

2) LINE LEVEL SIGNALS SHOULD BE 1.0Vpp - 2.0Vpp. 0.5Vpp SIGNALS CAN BE USED, HOWEVER THE OUTPUTS WILL NOT BE DRIVEN TO FULL POWER WITH THIS LEVEL INPUT SIGNAL. NEVER APPLY SIGNALS TO THE LINE LEVEL INPUTS AND HIGH LEVEL INPUTS AT THE SAME TIME.

3) IF THE VOLUME CONTROL ENABLE PIN IS PULLED TO GROUND, THEN THE INTERNAL VOLUME ADJUST IS ENABLED. IF THE PIN IS LEFT FLOATING, THE VOLUME WITHIN THE AMP WILL BE ADJUSTED TO MAXIMUM AND THE VOLUME UP AND VOLUME DOWN INPUTS DO NOT CHANGE THE VOLUME SETTING.

4) THERE ARE TWO SEPERATE 'REMOTE TURN ON' INPUTS FOR THIS AMP. ONE WILL ALLOW THE AMP TO BE TURNED ON WITH A 'GROUND' INPUT AND THE OTHER WILL TURN THE AMP ON WITH A 'HIGH' SIGNAL (FROM +12V TO +28V).

5) VOLUME STATUS LINES ARE 10mA PROTECTED OUTPUTS.

6) DO NOT CONNECT ANY SPEAKER OUTPUT TO GROUND OR +28V.

7) FUSES: USE ONLY 12 AMP FAST BLOW.

8) SPEAKER WIRES SHOULD BE TWISTED PAIR CONSTRUCTION.

9) SEE MCC DOCUMENT # MCC-19-078 FOR INSTALLATION/OPERATION.

J2 CONNECTOR DESCRIPTION	
PART NUMBER	DESCRIPTION
MD25M5R5NTD	CONNECTOR
DBMA25S	MATING CONNECTOR
WIRE DESCRIPTION	
PIN	DESCRIPTION
1	NC
2	NC
3	VOLUME UP (MDM GND IN)
4	VOLUME CONTROL ENABLE
5	REMOTE TURN ON (GND IN)
6	VOLUME STATUS BIT 4
7	VOLUME STATUS BIT 2
8	VOLUME STATUS BIT 0
9	NC
10	NC
11	R+ AUDIO INPUT (LINE LEVEL)
12	AUDIO INPUT COMMON
13	L+ AUDIO INPUT (HIGH LEVEL) **
14	NC
15	NC
16	VOLUME DOWN (MDM GND IN)
17	MUTE/PA KEY (GND IN)
18	REMOTE TURN ON (+12 - +28VDC)
19	VOLUME STATUS BIT 3
20	VOLUME STATUS BIT 1
21	NC
22	NC
23	NC
24	R+ AUDIO INPUT (HIGH LEVEL) **
25	L+ AUDIO INPUT (LINE LEVEL)

J1 CONNECTOR DESCRIPTION	
PART NUMBER	DESCRIPTION
MS3470L20-16P	CONNECTOR
MS3476L20-16S	MATING CONN.
WIRE DESCRIPTION	
PIN	DESCRIPTION
A	+28VDC
B	GROUND
C	SPEAKER R1+ (HIGH PASS)
D	SPEAKER R1- (HIGH PASS)
E	SPEAKER L1+ (HIGH PASS)
F	SPEAKER L1- (HIGH PASS)
G	SPEAKER R2+ (HIGH PASS)
H	SPEAKER R2- (HIGH PASS)
J	SPEAKER L2+ (HIGH PASS)
K	SPEAKER L2- (HIGH PASS)
L	NC
M	NC
N	SPEAKER R3+ (LOW PASS)
P	SPEAKER R3- (LOW PASS)
R	SPEAKER L3+ (LOW PASS)
S	SPEAKER L3- (LOW PASS)

\*\* HIGH LEVEL INPUTS ARE DESIGNED TO ACCEPT 'PRE-AMPED' AUDIO SIGNALS FROM A MCC1 AUDIO MUX./DISTRIBUTION MODULE.

DO NOT CONNECT SPEAKER LEVEL SIGNALS TO THIS AMPLIFIER.

REVISIONS			
REV	DESCRIPTION	DATE	DRAWN
A	CORRECT TOP LEVEL DRAWING TO MATCH LABEL CHANGES.	07/02/03	MFS
B	REVISED TITLE. REMOVED OUTPUT POWER INFORMATION.	10/22/04	DLS

### DIAGNOSTIC LED

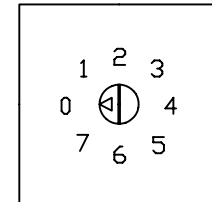
A diagnostic LED has been included to help with the installation/adjustment of this amplifier.

LED OFF: NORMAL OPERATION  
 LED BLINKING: CLIPPING IS OCCURRING IN THE OUTPUT SECTION.  
 LED ON SOLID: WIRING ERROR OR APPROCHING THERMAL LIMIT.

### CROSSOVER SETTINGS

THE HIGH AND LOW SECTIONS TRACK THE CROSSOVER FREQUENCY.

SWITCH#	CROSSOVER FREQ
0	100Hz
1	120Hz
2	140Hz
3	160Hz
4	180Hz
5	200Hz
6	220Hz
7	240Hz

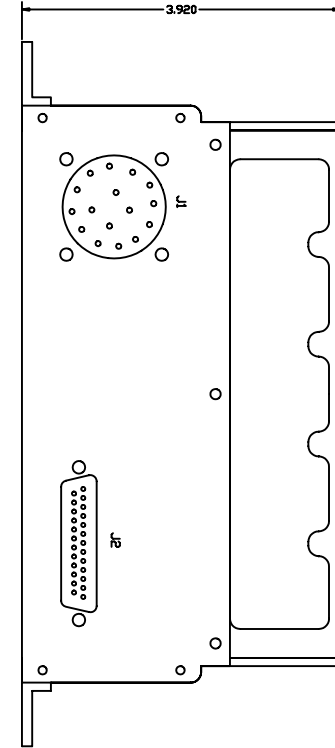
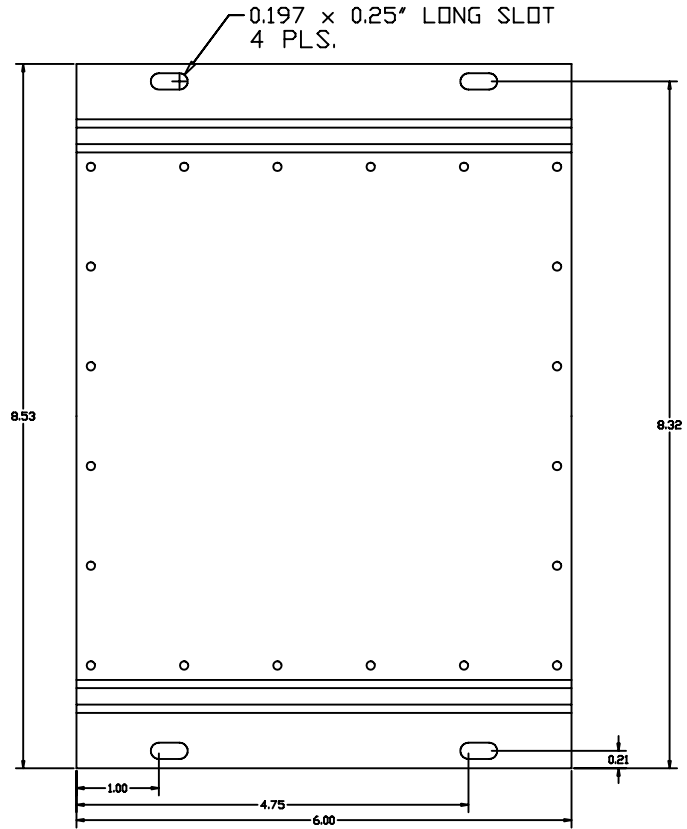
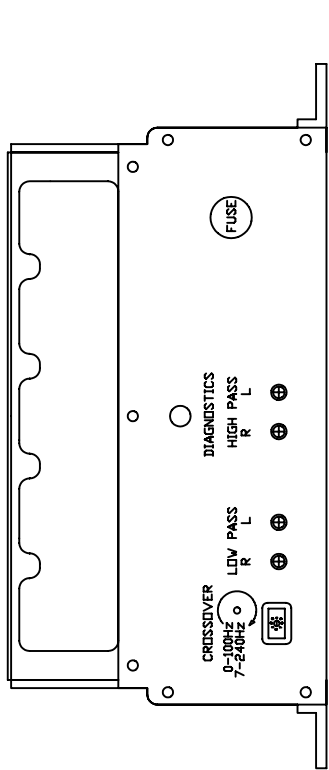


THIS DRAWING CONTAINS PROPRIETARY INFORMATION AND TECHNICAL MATERIAL THAT ARE THE SOLE PROPERTY OF MID CONTINENT CONTROLS, INC. THIS MATERIAL SHOULD BE TREATED AS CONFIDENTIAL BY ITS RECIPIENT AND SHOULD NOT BE SHOWN OR DISCLOSED TO ANY ORGANIZATION OR PERSON WITHOUT FIRST OBTAINING WRITTEN PERMISSION FROM MID CONTINENT CONTROLS, INC.

Mid Continent Controls, Inc. (316)789-0088  
 901 N. River, Derby, KS 67037

FINISH:	N/A	6 CHANNEL AMPLIFIER		
MATERIAL:	N/A	SIZE A	DRAWN MFS	DWG NO. 102019
TOLERANCE:	± 0.010" UNLESS NOTED	SCALE N/A	DATE 04/10/03	SHEET 1 OF 2
				REV B

REVISIONS			
REV	DESCRIPTION	DATE	APPROVED
	SEE SHEET 1 FOR REVISION.		



THIS DRAWING CONTAINS PROPRIETARY INFORMATION AND TECHNICAL MATERIAL THAT ARE THE SOLE PROPERTY OF MID CONTINENT CONTROLS, INC. THIS MATERIAL SHOULD BE TREATED AS CONFIDENTIAL BY ITS RECIPIENT AND SHOULD NOT BE SHOWN OR DISCLOSED TO ANY ORGANIZATION OR PERSON WITHOUT FIRST OBTAINING WRITTEN PERMISSION FROM MID CONTINENT CONTROLS, INC.

Mid Continent Controls, Inc. (316)789-0088  
 901 N. River, Derby, KS 67037

FINISH: ANODIZE TYPE B, CLASS 2  
 BLACK-MIL-A-8625

6 CHANNEL AMPLIFIER

MATERIAL: N/A

SIZE A	DRAWN MFS	DWG NO. 102019	REV B
--------	-----------	----------------	-------

TOLERANCE: ±0.01"  
 UNLESS NOTED

SCALE 1:1	DATE 04/10/03	SHEET 2 OF 2
-----------	---------------	--------------