



NOTES:  
 THIS PART REQUIRES A 105054-XX HARD DRIVE ASSEMBLY AND A 105055-1 CONTENT LOADER IN ORDER TO OPERATE.  
 THE 105053-1 SHOULD BE MOUNTED IN A LOCATION WITH ADEQUATE VENTILATION.  
 SEE MCC-19-002 FOR INSTALLATION/OPERATION SPECIFICATIONS.  
 MOUNT THIS ASSEMBLY USING (4) 8-32 PAN HEAD SCREWS.  
 THE 105053-1 OUTPUTS A LABEL TO DEFINE THE DESIRED PLAYER DESIGNATOR FOR SYSTEM RECOGNITION. THE  
 SELECTED CONFIGURATION ALSO DETERMINES THE IR CODES THE PLAYER WILL RESPOND TO. CONFIGURATION  
 OF THIS LABEL MUST BE ACCOMPLISHED ON THE SHIPSIDE WIRING. CONFIGURE THE BITS PER TABLE 1 FOR THE  
 DESIRED LABEL AND IR CODES.  
 CURRENT CONSUMPTION IS 5A TYPICAL AND 1A PEAK.  
 THE TOTAL WEIGHT IS 325 LBS.

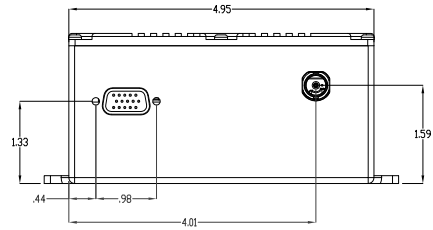
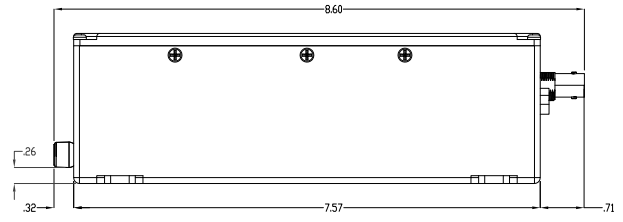
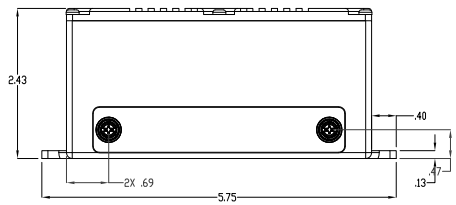
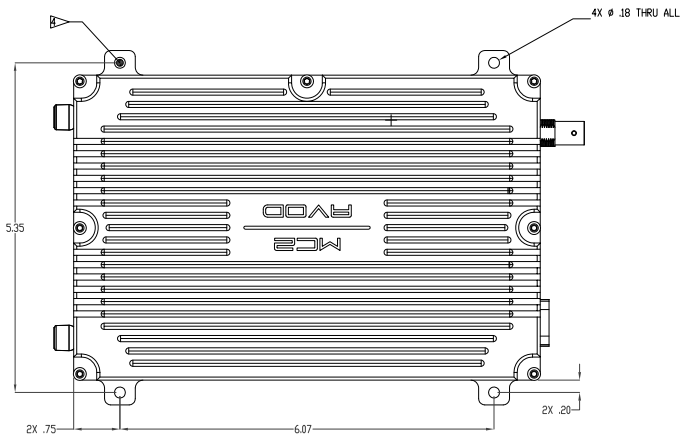


TABLE 1

LABEL	BIT CONFIGURATION		
	BIT 2	BIT 1	BIT 0
AVDD #1	FLOAT	FLOAT	FLOAT
AVDD #2	FLOAT	FLOAT	GROUND
AVDD #3	FLOAT	GROUND	FLOAT
AVDD #4	FLOAT	GROUND	GROUND
AVDD #5	GROUND	FLOAT	FLOAT
AVDD #6	GROUND	FLOAT	GROUND
AVDD #7	GROUND	GROUND	FLOAT
AVDD #8	GROUND	GROUND	GROUND

CONNECTOR DESCRIPTION - J1

PART NUMBER	DESCRIPTION
56-702-019-L1	CONNECTOR (SPECTRUM CONTROLS)
DDISF100E20	MATING CONNECTOR (POSTRONIC)
PIN	DESCRIPTION
1	28VDC POWER
2	GND
3	NC
4	RIGHT AUDIO
5	LEFT AUDIO
6	COMMON AUDIO
7	IR CODE STRAP (BIT 0)
8	IR CODE STRAP (BIT 1)
9	IR CODE STRAP (BIT 2)
10	IR+
11	IR-
12	RX-
13	RX+
14	TX-
15	TX+

CONNECTOR DESCRIPTION - J2

PART NUMBER	DESCRIPTION
73101-0120	CONNECTOR (MOLEX)
31-320-RFX	MATING CONNECTOR (AMPHENOL)
PIN	DESCRIPTION
1	VIDEO OUTPUT CHANNEL (75 OHM)

MID CONTINENT CONTROLS, INC.  
 (316)789-0088 901 NORTH RIVER, DERBY, KS 67037

FINISH: N/A  
 MATERIAL: N/A

SIZE: 11 X 17  
 DATE: 9/26/2008  
 SHEET: 1 OF 1

REV: IR