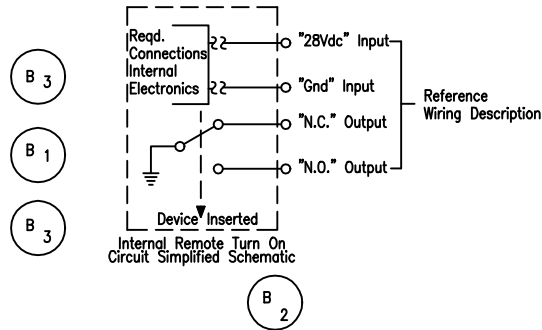
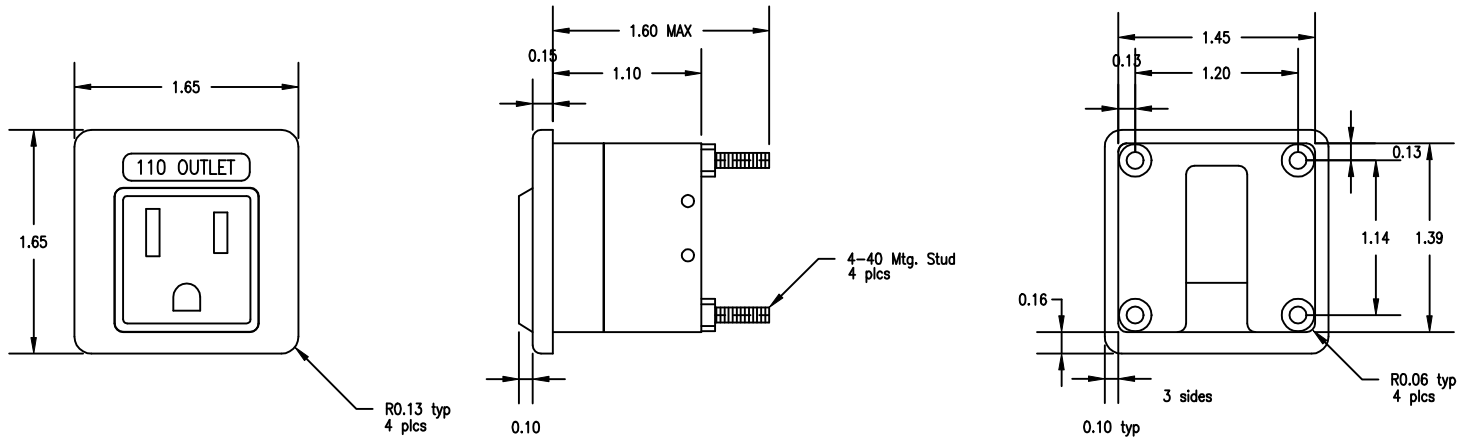


NOTES:

- Outlet Ratings: -1, -2 @ 125VAC 5Amps.
-3, -4, -5 & -6 @ 125VAC 10Amps.
-7, -8 @ 125VAC 15Amps.
- 2, -4, -6 & -8 Outlet Assy. provides remote turn on capabilities: (Reference schematic)
Switch provides a maintained ground output @ 50mA switching capacity. Remote turn on is activated when a device is inserted into the outlet.
- All wire to be per MIL-W-16878. Control wire to be 24AWG.
High voltage wire to be: 20AWG for -1 & -2, 18AWG for -3 & -4.
High voltage wire to be: 16AWG for -5 & -6, 14AWG for -7 & -8.
- Text to be 0.10" tall Medium Helvetica, White text on black background.



REVISIONS				
ZONE	REV	DESCRIPTION	DATE	APPROVED
	A	Added -3, -4. Redrawn with changes.	02/15/97	
	B	1) Changed Note 2: added remote turn on circuit description. 2) Added Schematic Diagram 3) Added -5, -6, -7 & -8	04/07/00	



- B 3
- 7 5 3 1 AC OUTLET ASSY
8 6 4 2 AC OUTLET ASSY w/REMOTE TURN ON SWITCH

**Applicable to -2 only

P/N	DESCRIPTION
1	**28VDC POWER
2	**GROUND
4	INC
5	AC HIGH (110VAC)
6	**REMOTE TURN ON (NC)
7	**REMOTE TURN ON (NO)
8	INC
9	AC RIN (NEUTRAL)

*Applicable to -4, -6 & -8 only

P/N	DESCRIPTION	P/N	DESCRIPTION
1	480701-0 CONNECTOR	03	06-2035 CONNECTOR
2	350705-1 PIN	02	06-2132 PIN
	P/N of Amp		P/N of Molex
	PIN DESCRIPTION *J1		PIN DESCRIPTION *J2
1	AC HIGH (110VAC)	1	**28VDC POWER
2	AC RIN (NEUTRAL)	2	**GROUND
3	AC GROUND	3	INC
		4	**REMOTE TURN ON (NC)
		5	**REMOTE TURN ON (NO)

THIS DRAWING CONTAINS PROPRIETARY INFORMATION AND TECHNICAL MATERIAL THAT ARE THE SOLE PROPERTY OF MID CONTINENT CONTROLS, INC. THIS MATERIAL SHOULD BE TREATED AS CONFIDENTIAL BY ITS RECIPIENT AND SHOULD NOT BE SHOWN OR DISCLOSED TO ANY ORGANIZATION OR PERSON WITHOUT FIRST OBTAINING WRITTEN PERMISSION FROM MID CONTINENT CONTROLS, INC.

Mid Continent Controls, Inc. (316)789-0088
219 S. Water, Derby, KS 67037

FINISH: per customer P.O.

AC OUTLET ASSEMBLY

MATERIAL: 6061 Aluminum

SIZE B	DRAWN RAH	DWG NO. 106001	REV B
--------	-----------	----------------	-------

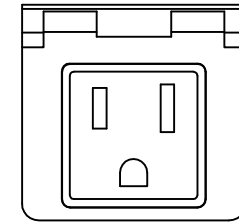
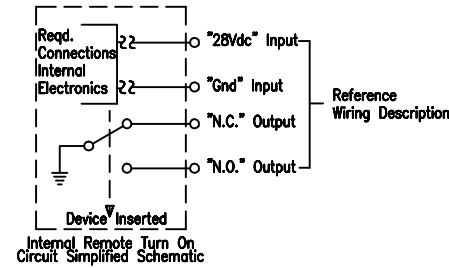
TOLERANCE: ±0.010" UNLESS NOTED

SCALE 1:1	DATE 25 SEPTEMBER 96	SHEET 1 OF 1
-----------	----------------------	--------------

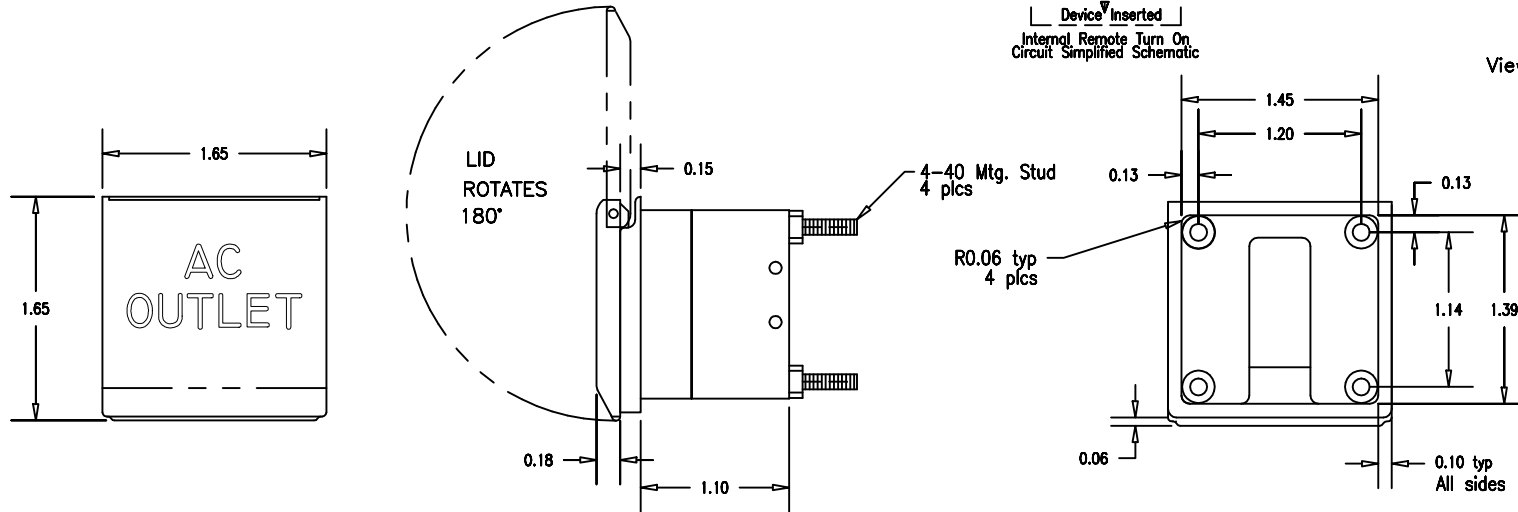
NOTES:

- Outlet Ratings: -1,-2 @ 125VAC 5Amps. A 2
 -3,-4 @ 125VAC 10Amps; -7,-8 @ 125VAC 15Amps.
- 2, -4, -8 Outlet Assy. provides remote turn on capabilities: (Reference schematic) A 2
 Switch provides a maintained ground output @ 50mA switching capacity.
 Remote turn on is activated when a device is inserted into the outlet.
- All wire to be per MIL-W-22759. Control wire to be 24AWG. A 2
 High voltage wire to be: 20AWG for -1 & -2, 18AWG for -3 & -4, 14AWG for -7 & -8.
- Lid is spring loaded to shut when not in use.
- Outlet is North American Standard. Outlet color is black.
- Text to be 0.25" tall.

REVISIONS				
ZONE	REV	DESCRIPTION	DATE	DRAWN
	A	1) ADDED -7 & -8 ASSEMBLIES 2) ADDED -7, -8 TO NOTES 1, 2 & 3. 3) ADDED -8 TO J2 WIRING DEFINITION. 4) ADDED -7, -8 AC WIRING DEFINITION.	4/21/2004	RAH



View shown looking down at bezel.
Lid removed for clarity.



- 7 3 1 AC OUTLET ASSY w/LID
- 8 4 2 AC OUTLET ASSY w/LID & REMOTE TURN ON SWITCH

**Applicable to -2 only

WIRING DESCRIPTION -1 & -2

P/N	DESCRIPTION
DE42884	CONNECTOR
DE42884	BACKSHELL
D20419-71	SCREW LOCKS
P/N of IT Cannon	
1	*28VDC POWER
2	*GROUND
3	NC
4	AC GROUND
5	AC HIGH (110VAC)
6	*REMOTE TURN ON (NC)
7	*REMOTE TURN ON (NO)
8	NC
9	AC RIN (NEUTRAL)

**Applicable to -4, -8 only

WIRING DESCRIPTION -3 & -4

P/N	DESCRIPTION	P/N	DESCRIPTION
1-480701-0	CONNECTOR	03-08-2055	CONNECTOR
350705-1	PIN	02-08-2132	PIN
P/N of Amp		P/N of Molex	
PIN DESCRIPTION J1		PIN DESCRIPTION J12	
1	AC HIGH (110VAC)	1	*28VDC POWER
2	AC RIN (NEUTRAL)	2	*GROUND
3	AC GROUND	3	NC
		4	*REMOTE TURN ON (NC)
		5	*REMOTE TURN ON (NO)

AC WIRING DESCRIPTION -7 & -8

AC WIRES	
WIRE COLOR	DESCRIPTION
BLUE/WHITE	AC HIGH (110VAC)
WHITE	AC RIN (NEUTRAL)
GREEN	AC GROUND

THIS DRAWING CONTAINS PROPRIETARY INFORMATION AND TECHNICAL MATERIAL THAT ARE THE SOLE PROPERTY OF MID CONTINENT CONTROLS, INC. THIS MATERIAL SHOULD BE TREATED AS CONFIDENTIAL BY ITS RECIPIENT AND SHOULD NOT BE SHOWN OR DISCLOSED TO ANY ORGANIZATION OR PERSON WITHOUT FIRST OBTAINING WRITTEN PERMISSION FROM MID CONTINENT CONTROLS, INC.

Mid Continent Controls, Inc. (316)789-0088
901 N.River, Derby, KS 67037

FINISH: per customer P.O.

AC OUTLET ASSEMBLY w/LID

MATERIAL: N/A

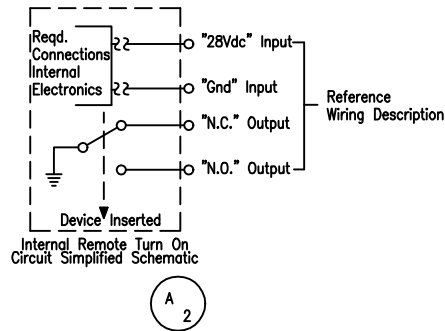
SIZE B	DRAWN TLP	DWG NO. 106063	REV A
--------	-----------	----------------	-------

TOLERANCE: ±0.010" UNLESS NOTED

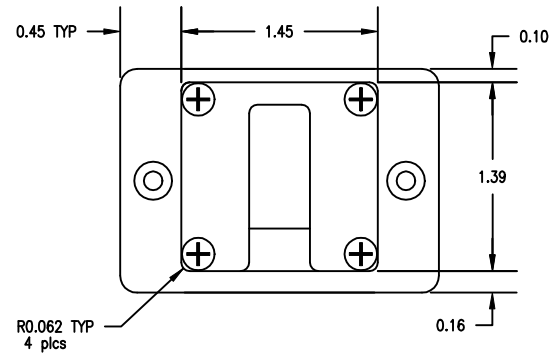
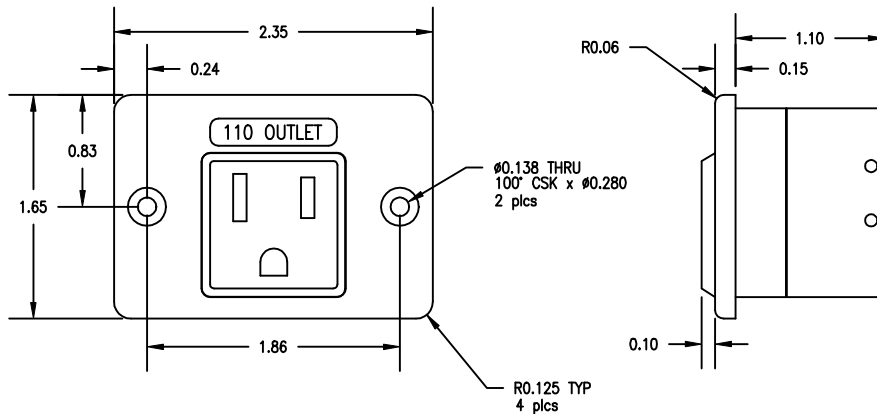
SCALE 1:1	DATE 01/18/2002	SHEET 1 OF 1
-----------	-----------------	--------------

NOTES:

- Outlet Ratings: -1,-2 @ 125VAC 5Amps.
-3,-4 @ 125VAC 10Amps.
- 2, -4 Outlet Assy. provides remote turn on capabilities: (Reference schematic) Switch provides a maintained ground output @ 50mA switching capacity. Remote turn on is activated when a device is inserted into the outlet.
- All wire to be per MIL-W-16878. Control wire to be 24AWG. High voltage wire to be: 20AWG for -1 & -2, 18AWG for -3 & -4.
- Text to be 0.10" tall Medium Helvetica, White text on black background.



REVISIONS				
ZONE	REV	DESCRIPTION	DATE	APPROVED
	A	1) Changed Note 2: added remote turn on circuit description. 2) Added Schematic Diagram	11/03/99	



- 3 1 AC OUTLET ASSY
- 4 2 AC OUTLET ASSY w/REMOTE TURN ON SWITCH

**Applicable to -2 only

P/N	DESCRIPTION
1	**28VDC POWER
2	**GROUND
4	INC
5	AC HIGH (110VAC)
6	**REMOTE TURN ON (NC)
7	**REMOTE TURN ON (NO)
8	INC
9	AC RIN (NEUTRAL)

*Applicable to -4 only

P/N	DESCRIPTION	P/N	DESCRIPTION
1	480701-0 CONNECTOR	03	06-2035 CONNECTOR
2	350705-1 PIN	02	06-2132 PIN
	P/N of Amp		P/N of Molex
	PIN DESCRIPTION *J1		PIN DESCRIPTION *J2
1	AC HIGH (110VAC)	1	**28VDC POWER
2	AC RIN (NEUTRAL)	2	**GROUND
3	AC GROUND	3	INC
		4	**REMOTE TURN ON (NC)
		5	**REMOTE TURN ON (NO)

THIS DRAWING CONTAINS PROPRIETARY INFORMATION AND TECHNICAL MATERIAL THAT ARE THE SOLE PROPERTY OF MID CONTINENT CONTROLS, INC. THIS MATERIAL SHOULD BE TREATED AS CONFIDENTIAL BY ITS RECIPIENT AND SHOULD NOT BE SHOWN OR DISCLOSED TO ANY ORGANIZATION OR PERSON WITHOUT FIRST OBTAINING WRITTEN PERMISSION FROM MID CONTINENT CONTROLS, INC.

Mid Continent Controls, Inc. (316)789-0088
219 S. Water, Derby, KS 67037

FINISH: per customer P.O.

AC OUTLET ASSEMBLY

MATERIAL: 6061 Aluminum

SIZE B	DRAWN RAH	DWG NO. 106007	REV A
--------	-----------	----------------	-------

TOLERANCE: ±0.010" UNLESS NOTED

SCALE NONE	DATE 18 FEBRUARY 97	SHEET 1 OF 1
------------	---------------------	--------------