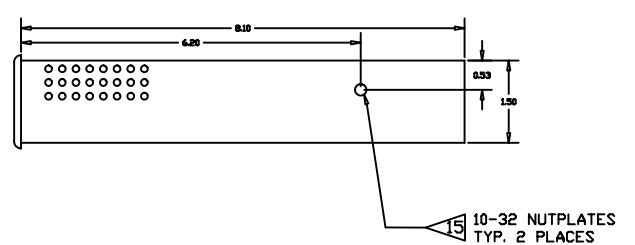
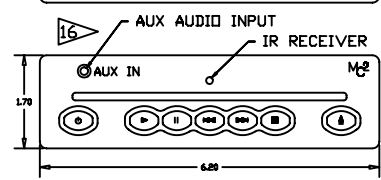
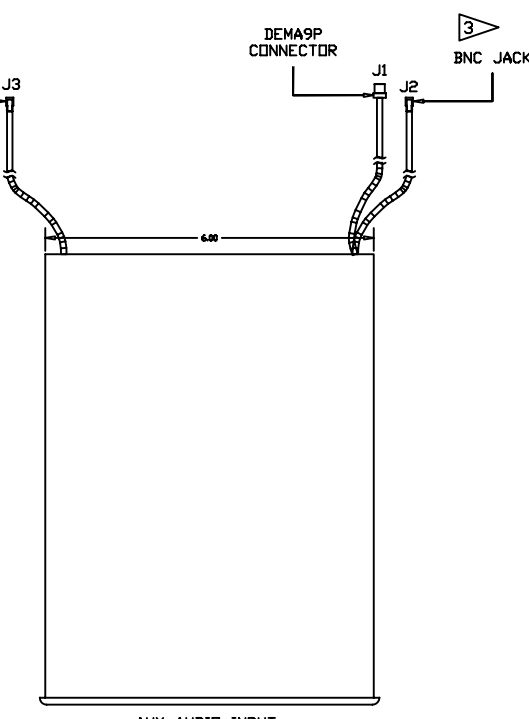


NOTES:

1. SINGLE DVD TO BE WIRED PER WIRING DESCRIPTION CHART.
2. P/N OF ITT CANNON.
3. VIDEO CONNECTORS TO BE BNC JACK PER MIL-C-39012.
4. MATING CONNECTOR KIT AVAILABLE AS MCCI P/N: 856003-1 FOR CONNECTOR J1 (105049-1), 856004-1 FOR CONNECTOR J2 (105049-2).
5. P/N OF MOLEX.
6. CURRENT CONSUMPTION 0.5 A TYPICAL, 1.5 A PEAK.
7. TOTAL WEIGHT IS 2 LBS 9 OZ.
8. TEXT TO BE ENGRAVED AS SHOWN. BACKFILL COLOR IS GREEN.
9. P/N OF AMERICAN CONEC.
10. PIGTAIL LENGTH TO EXTEND AT LEAST 12" BEYOND THE CASE EXIT.
11. REMOTE TURN ON OUTPUTS ARE +28V @ 0.1 A MAXIMUM.
12. SEE MCC-19-0164 FOR INSTALLATION/OPERATION SPECIFICATIONS.
13. POWER/AUDIO CONNECTORS TO BE PER MIL-C-24308.
14. WIRE TO BE PER MIL-W-16878/4 AND MIL-C-17.
15. SCREW LENGTH NOT TO EXCEED 0.250".
16. AUX INPUT IS AN ISOLATED AUDIO INPUT WITH 2.5KOHMS IMPEDANCE. AUDIO INPUT SHOULD BE LINE LEVEL @ 1.0Vpp - 2.0Vpp. DVD VIDEO SIGNAL WILL GO BLANK WHEN AUDIO SOURCE IS PLUGGED IN. VIDEO RETURNS WHEN AUDIO PLUG IS REMOVED.
17. IR CODE STRAP BITS ARE USED TO ADJUST WHICH IR CODES THE 105049-1 WILL RESPOND TO. REFER TO TABLE 1 FOR BIT CONFIGURATION.
18. THE 105049-2 PLAYER OUTPUTS A LABEL TO DEFINE THE DESIRED PLAYER DESIGNATOR FOR SYSTEM RECOGNITION. THE SELECTED CONFIGURATION ALSO DETERMINES THE IR CODES THE PLAYER WILL RESPOND TO. CONFIGURATION OF THIS LABEL MUST BE ACCOMPLISHED ON THE SHIPSIDE WIRING. CONFIGURE THE BITS PER TABLE 1 FOR THE DESIRED LABEL AND IR CODES.

REVISIONS				
ZONE	REV	DESCRIPTION	DATE	DRAWN
CB DB A7,AB BB	A	1) ADDED NOTES 17 AND 18 ON SHEET 1. 2) ADDED CONNECTOR KIT NUMBER IN NOTE 4 ON SHEET 1. 3) ADDED J3 CONNECTOR PINOUT AND TABLE 1 ON SHEET 1. 4) CHANGED J2 CONNECTOR TO DAM15P AND UPDATED PINOUT ON SHEET 2.	10/10/2006	DAS



WIRING DESCRIPTION CHART		
CONNECTOR - J1		
CONNECTOR DESCRIPTION	PIN	DESCRIPTION
PART NUMBER	1	+28VDC POWER
DEMA9P CONNECTOR	2	GROUND
DE-24394 BACKSHELL	3	R+ AUDIO OUTPUT
DE20419-21 SCREW LOCKS	4	R- AUDIO OUTPUT
MATING CONNECTOR	5	+ INFRARED INPUT
PART NUMBER	6	REMOTE TURN ON BUY
DEMA9P CONNECTOR	7	L+ AUDIO OUTPUT
DE-24394 BACKSHELL	8	L- AUDIO OUTPUT
DE20419-2 FEMALE JACKPISTS	9	- INFRARED INPUT

VIDEO CONNECTOR	
IN-LINE BNC JACK	
J2	DVD VIDEO OUTPUT

TABLE 1			
LABEL	BIT CONFIGURATION		
	BIT 2	BIT 1	BIT 0
DVD #1	FLOAT	FLOAT	FLOAT
DVD #2	FLOAT	FLOAT	GROUND
DVD #3	FLOAT	GROUND	FLOAT
DVD #4	FLOAT	GROUND	GROUND
DVD #5	GROUND	FLOAT	FLOAT
DVD #6	GROUND	FLOAT	GROUND
DVD #7	GROUND	GROUND	FLOAT
DVD #8	GROUND	GROUND	GROUND

WIRING DESCRIPTION CHART	
CONNECTOR - J3	
CONNECTOR	03-06-2032
PINS	02-06-2132
MATING CONNECTOR	03-06-1032
MATING SOCKETS	02-06-1132
PIN	DESCRIPTION
1	IR CODE STRAP (BIT 0)
2	IR CODE STRAP (BIT 1)
3	IR CODE STRAP (BIT 2)

① SINGLE DVD (REGION FREE)

THIS DRAWING CONTAINS PROPRIETARY INFORMATION AND TECHNICAL DATA THAT ARE THE SOLE PROPERTY OF MID CONTINENT CONTROLS, INC. THIS DRAWING SHALL BE TREATED AS CONFIDENTIAL BY ITS RECIPIENT AND SHOULD NOT BE SHOWN OR DISCLOSED TO ANY ORGANIZATION OR PERSON WITHOUT FIRST OBTAINING WRITTEN PERMISSION FROM MID CONTINENT CONTROLS, INC.		Mid Continent Controls, Inc. (316)789-0088 901 N. River, Derby, KS 67037	
DVD ASSEMBLY - SINGLE (REGION FREE)			
FINISH: ANODIZE TYPE 2 CLASS 1	SIZE (DRAWN)	DWG NO.	REV
MATERIAL: N/A	D	DAS	A
TOLERANCE: ±0.010" UNLESS NOTED	SCALE: 1:1	DATE: 06/01/2006	SHEET 1 OF 2